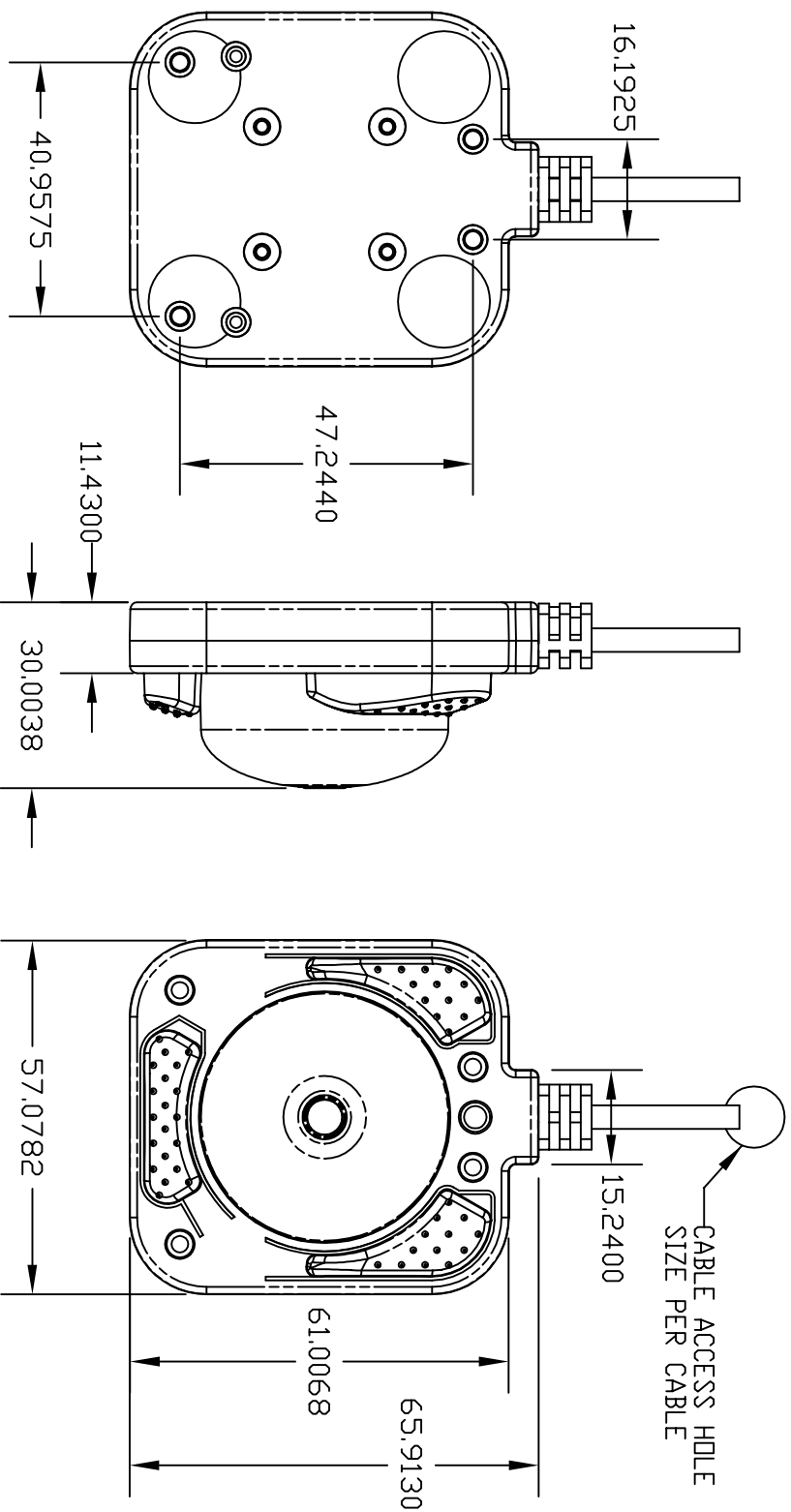


REVISION HISTORY

REV	DESCRIPTION	BY	DATE

- NOTES:
1. SEE TABLE FOR MOUNTING ORIENTATION
 2. ALL DIMENSIONS ARE IN MILLIMETERS
 3. REFER TO 16-1001606 FOR PANEL CUTOUT DIM.
 4. MOUNT USING .112-40 UNC (#4-40) X 7/16" L - QTY 4



MODEL #	ORIENTATION
-A0001	AS SHOWN
-A0002	ROTATED 180°

DWN:	L. Moore	02/14/05	ITAC SYSTEMS, INC.
CHK:	G. Magel	02/14/05	ASSEMBLY DRAWING
ENGR:	L. Moore	02/14/05	PANEL MOUNT
GST: L.	Miller	02/14/05	HAND-TRAK
MF GJ.	Rodriguez	02/14/05	SIZE DRAWING NUMBER
RLSE:	D. Bynum	02/14/05	16-1001605
			REV A